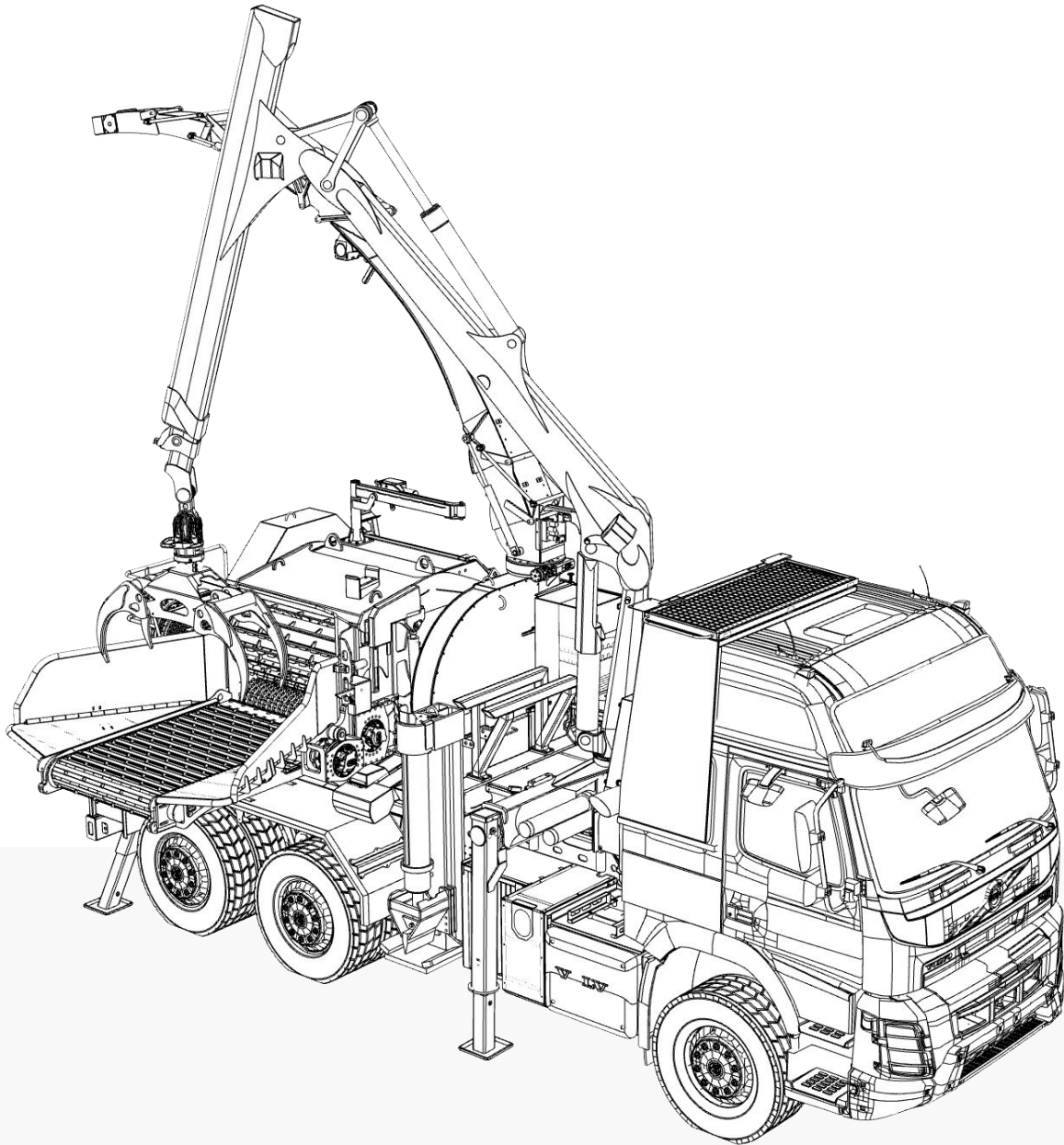


Data sheet

SMC-812 TCR

CHIPPERTRUCK 6X4/6X6



SMC-812 TCR CHIPPERTRUCK

The SMC-812 TCR's speciality is its universal range of applications. It does not matter if in narrow mountain areas or on highways, the SMC-812 CCL performs with the best quality and efficiency. Due to the cabin conversion with panoramic glazing and an ergonomic work seat, the operator is provided with a maximum of comfort and flexibility. The many available options allows the machine to be perfectly adapted to the customer's individual needs.

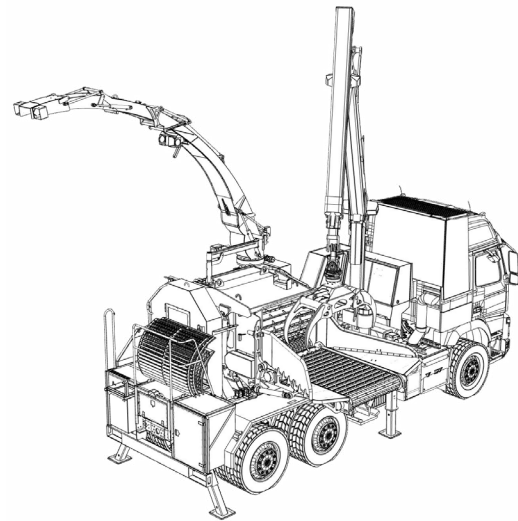
SMC-812 CHIPPING UNIT

The SMC-812 chipping unit contains the newest available features. Its robust construction and replaceable parts ensure a long service life. Due to versatile setting options in combination with the advanced software, selecting the right quality of the chopped material is made easy. Together with the high performance drive concept, the maximum level of efficiency is achieved.

TECHNICAL DATA

Performance

Max. diameter hardwood	60cm
Max. diameter softwood	80cm
Max. throughput	up to 280m ³ /h
Fuel consumption	0.3-0.5 l/m ³
Chip-size	adjustable G30-G100
Ejection range	up to 35m
Max. power	540 HP (397kW) at 1'450-1'800rpm
Max. Torque at	2'600Nm at 1'000-1'450rpm
Top speed	80km/h



SMC-812 chipping unit

Infeed size	120 x 80cm
Rotor diameter	950mm
Cutting length	adjustable: 15-45mm
Knives	6pcs. 200mm, 12stk. on request
Infeed table	length 1'800mm hydraulic conveyor belt foldable sidepanels
Infeed	Two bottom feeder roller
Discharge	One large upper feeder roller hydraulic blower discharge

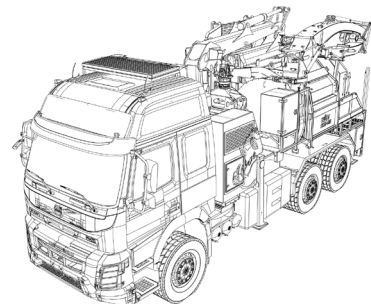
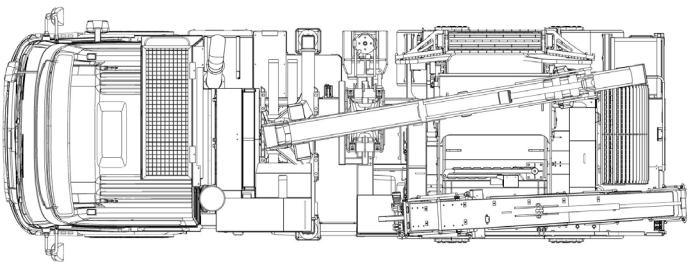
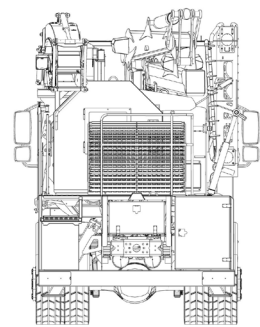
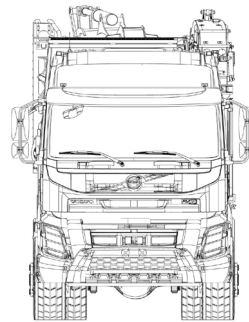
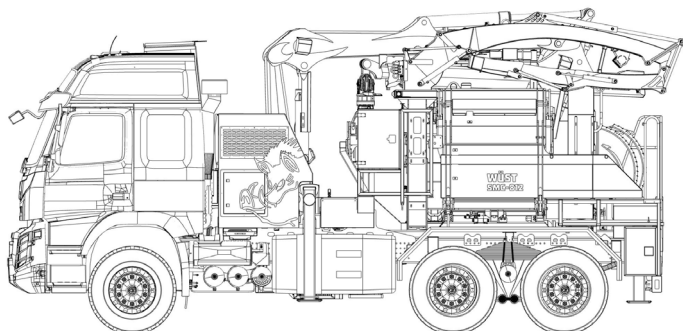
Dimensions

Wheelbase 1-2, 2-3	3'900mm, 1'350mm
Axle loads	(1) 8'100kg (2+3) 17'800kg
Weight	25'800kg (basic model)
Length	8'230mm
Height	3'970mm
Width	2'550mm
Turning circle	8.75m

Options

- 6x6
- Driving from work seat *
- Various tool boxes
- Various screen sizes and cutting length sets
- Screening crane with electric winch
- Various camera and work light options
- Wedge or cone splitting unit
- 4-fold support
- Central lubrication system
- Wüst Trac-system

For all available options please contact the sales department



*Only on private property, no approval for road traffic